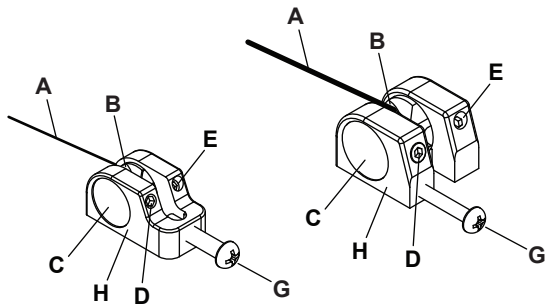


Babicz Full Contact Hardware® is designed with the performing musician in mind, and we at Cort® are confident that FCH will help add to your musical experience for years to come.



GUITAR

BASS

Cort®

www.cortguitars.com

**FULL
CONTACT
HARDWARE
BABICZ**

www.fullcontacthardware.com

Adjusting Your String Action Height:

- 1) Install string (A) by positioning it in the groove (B), found in each eCAM saddle (C).
- 2) Using the provided hex wrench (2mm for bass, 1.5mm for guitar): loosen screw (D), then set your string height by turning screw (E) until the desired string height is achieved.
- 3) Lock the eCAM saddle (C) by turning screw (D), using the provided hex wrench.

Adjusting Your Intonation:

Using a phillips screwdriver (not included), turn the Intonation Adjustment Screw (G), until the desired eCAM Saddle Housing (H) position is achieved.

Patent Number: 8,525,008